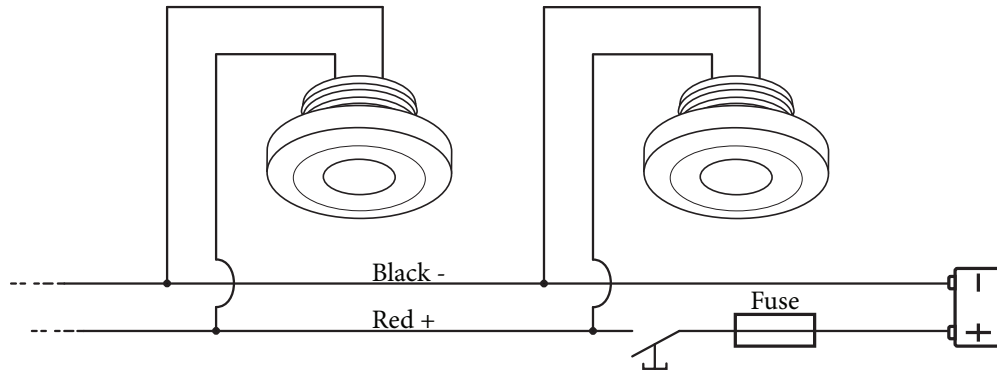


# CASOLUX®

*The lights of tomorrow*

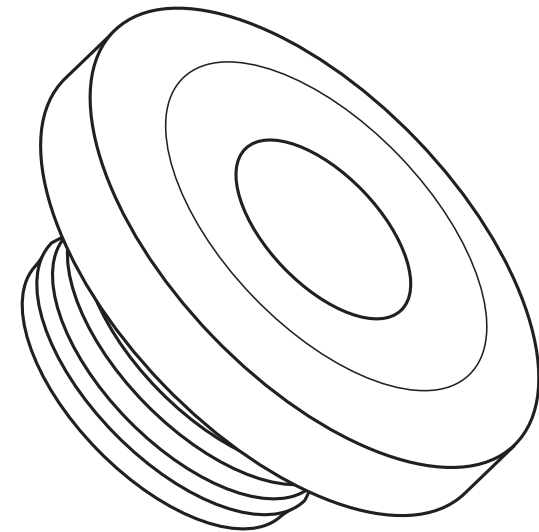
## MAX SPECIAL

Downlight



### Assembly instruction

Item	Power	Input
MAX-SS SPECIAL-CL	WW 2,6w / RED 1w	10-32V DC
MAX-SS SPECIAL-ML	WW 2,6w / RED 1w	10-32V DC



# BEFORE YOU START

## Safety information

Read all safety information before using the device to ensure safe and proper use.

The lamp can be installed directly into the insulation or similar material, without an extra security box.

The light source of this light fixture is not replaceable, when the light source reaches its end of life the whole unit shall be replaced.

It is extremely important that these instructions are read carefully, and any illustrations studied before commencing installation.

Please keep these instructions for future reference.

## WARNING!

- Electricity can be dangerous.
- Do not attempt to fit installation unless you are competent.
- If in any doubt consult a qualified electrician to complete electrical installation.
- Installation to comply with current IET wiring regulations.
- If you find any damage to the electrical parts, please ask a qualified electrician.
- Be aware of electrical voltage on the different models to avoid damage.

## Correct disposal



This marking indicates that this item should be disposed of separately from household waste. The item should be handed in for recycling in accordance with local environmental regulations for waste disposal.

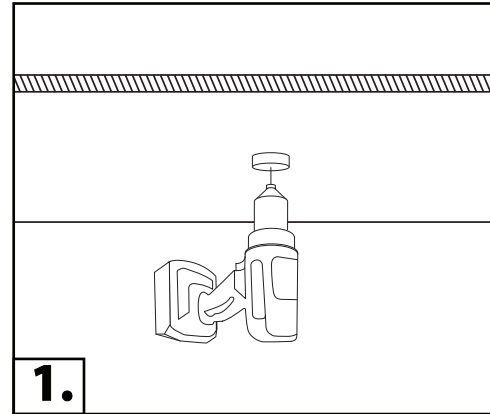
## Cleaning Instructions and Care

- Please disconnect the light before cleaning.
- Take extra care when cleaning and assembling.
- Do not use any chemical or abrasive solutions.

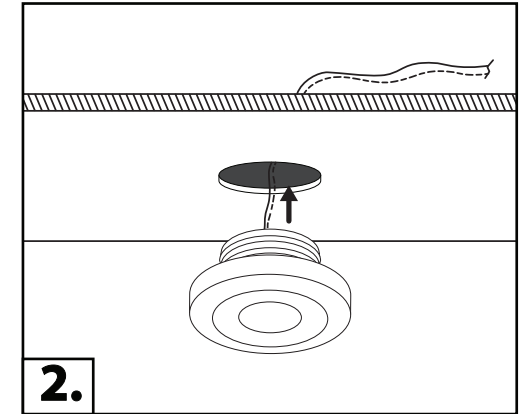
## Installation

- Take care when handling and installing to avoid damage to the product.
- Avoid mounting the fitting on a damp surface such as newly painted or plastered area as this could cause discoloration of the finish.

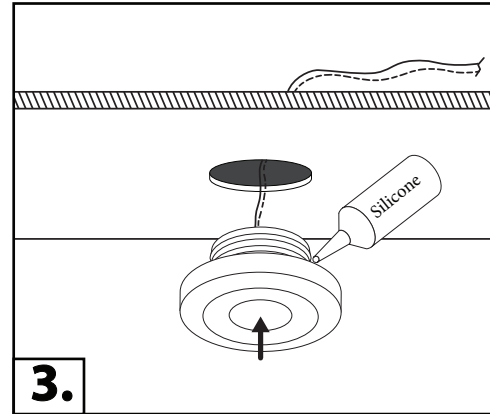
## General Assembly



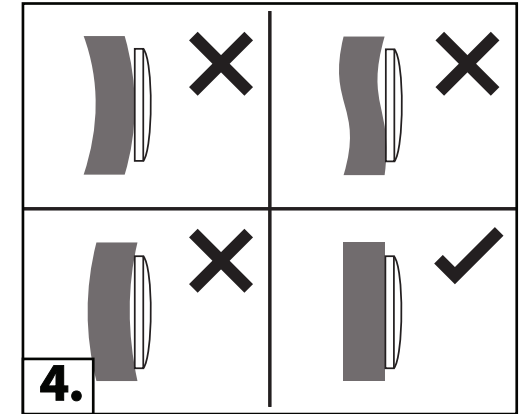
**1.** Cut out a hole in the ceiling that fits the size of your light.



**2.** Route the cables through the hole and connect the light according to the electrical diagram.



**3.** Apply marine grade silicone on the light or in the hole and insert the light.



**4.** Only install the light on flat surfaces.