

Casolux Marine light

Marine light system

LILLEHOLM 90

GB

IP65



Power
10 w

Efficiency
90 Lm/w

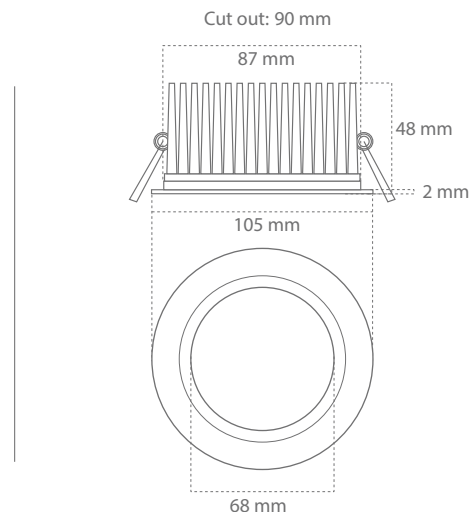
Lifetime
40.000 Hours
(70% Lumen maintenance)

Input
350mA

Material
Stainless steel
Aluminium



Stainless steel
Polished (SSPO)



Stainless steel
Brushed (SSBR)



Stainless steel
White (SSWH)

Product code	Lumen output	Beam	Power	CCT	CRI
LILLEHOLM-90-SSPO-27	900 lm	120°	10 w	2700K	> 90
LILLEHOLM-90-SSPO-3K	900 lm	120°	10 w	3000K	> 90
LILLEHOLM-90-SSBR-27	900 lm	120°	10 w	2700K	> 90
LILLEHOLM-90-SSBR-3K	900 lm	120°	10 w	3000K	> 90
LILLEHOLM-90-SSWH-9010-27	900 lm	120°	10 w	2700K	> 90
LILLEHOLM-90-SSWH-9010-3K	900 lm	120°	10 w	3000K	> 90

Feature

- Stainless steel (304) / Anodised aluminium ensures corrosion free product in damp environment.
- High power projector for marine light
- IP65 design with integral thermal management for long life
- High precision machining ensures perfect mechanical fit for long life

Material

- Front: Aisi 304 stainless steel
- Back: Anodised aluminium

Benefit

- High reliability
- Maintenance free

Application

- Marine light