

Casolux Marine light

Marine light system

MERLE

GB

IP67



Power
0,5 w

Efficiency
80 Lm/w

Lifetime
30.000 Hours
(70% Lumen maintenance)

Input
11-18 VDC
10-30 VDC
18-30 VDC

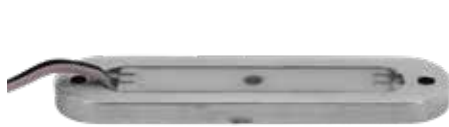
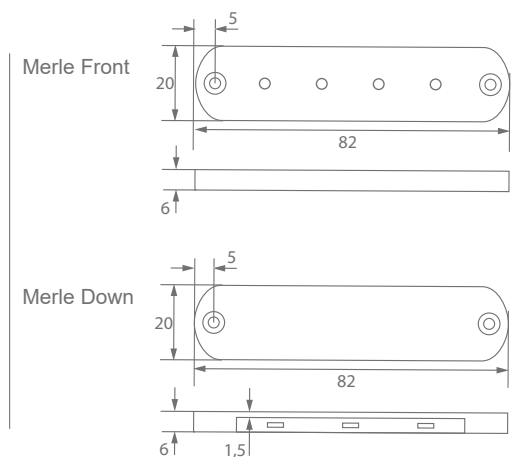
Material
Stainless steel



MERLE FRONT



MERLE DOWN



MERLE FRONT - back



MERLE DOWN - back

Product code	Lumen output	Beam	Power	CCT	CRI	LED brand
MERLE-FRONT-SS-WHITE	40 lm	40°	0,5 w	3000K	> 85	CREE
MERLE-FRONT-SS-RED	40 m	40°	0,5 w	RED	> 85	CREE
MERLE-FRONT-SS-BLUE	40 lm	40°	0,5 w	BLUE	> 85	CREE
MERLE-DOWN-SS-WHITE	40 m	120°	0,5 w	3000K	> 85	CREE
MERLE-DOWN-SS-RED	40 m	120°	0,5 w	RED	> 85	CREE
MERLE-DOWN-SS-BLUE	40 m	120°	0,5 w	BLUE	> 85	CREE
MERLE-DOWN-SS-DUO	40 m	120°	0,5 w / 0,5 w	3000K / RED	> 85	CREE

Feature

- Stainless steel (316) ensures corrosion free product in damp enviroment.
- Courtesy lighting for marine use
- IP67 design with integral thermal management for long life
- High precision machining ensures perfect mechanical fit for long life
- LED light colour available in white, red or blue

Material

- Aisi 316 stainless steel

Benefit

- High reliability
- Maintenance free

Application

- Marine light