

# Casolux Marine light

Marine light system

MATHILDE

GB

IP65



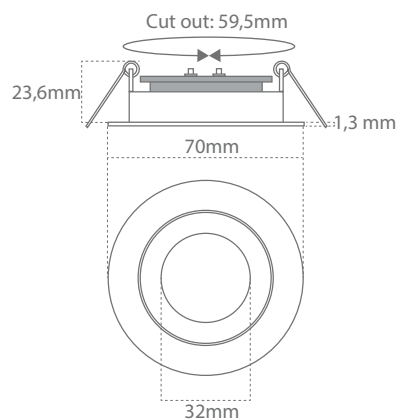
Power  
2,4 w

Efficiency  
58 Lm/w

Lifetime  
**40.000 Hours**  
(70% Lumen maintenance)

Input  
10-32 VDC

Material  
Stainless steel



Product code	Lumen output	Beam	Power	CCT	CRI
MATHILDE-SS	140 lm	100°	2,4 w	3000 K	> 85

## Feature

- IP65 design with integral thermal management for long life
- High precision machining ensures perfect mechanical fit for long life
- Stainless steel ensures corrosion free product in damp environment

## Material

- Front: Stainless steel 316L
- Base: Aluminum

## Benefit

- High reliability
- Maintenance free

## Application

- Marine light