

IP20



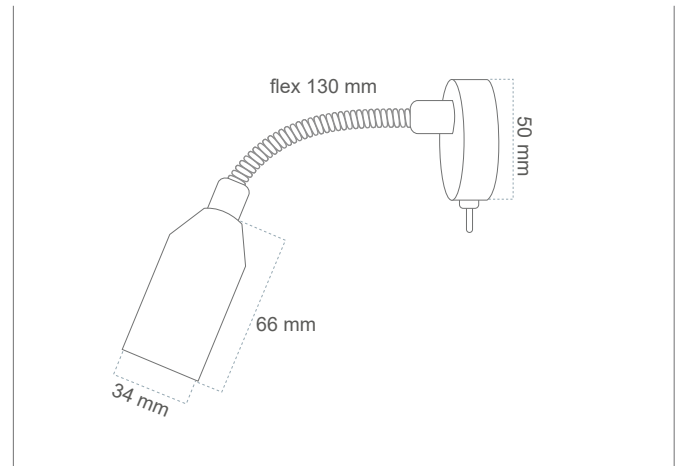
Power  
2 w

Efficiency  
80 Lm/w

Lifetime  
40.000 Hours  
(70% Lumen maintenance)

Input  
10-30 VDC

Material  
Aluminium



Product code	Lumen output	Beam	Power	CCT	CRI	LED brand
MARY AL BL FLEX SP	160 lm	40°	2 w	3000 K	> 83	CREE

### Feature

- High power projector for marine light
- Anodized aluminium ensures corrosion free product in damp environment.
- IP20 design with integral thermal management for long life
- On and Off switch in lampbase.

### Material

- Body: Anodised aluminium
- Flex: Chromeplated brass with Black Silicone cover

### Benefit

- High reliability
- Maintenance free

### Application

- Marine light