

# Casolux Marine light

Marine light system

MAGGI Ø69

GB

IP65



Power  
3 w

Efficiency  
55 Lm/w

Lifetime  
40.000 Hours  
(70% Lumen maintenance)

Input  
10-18 VDC  
Optional 10-32 VDC

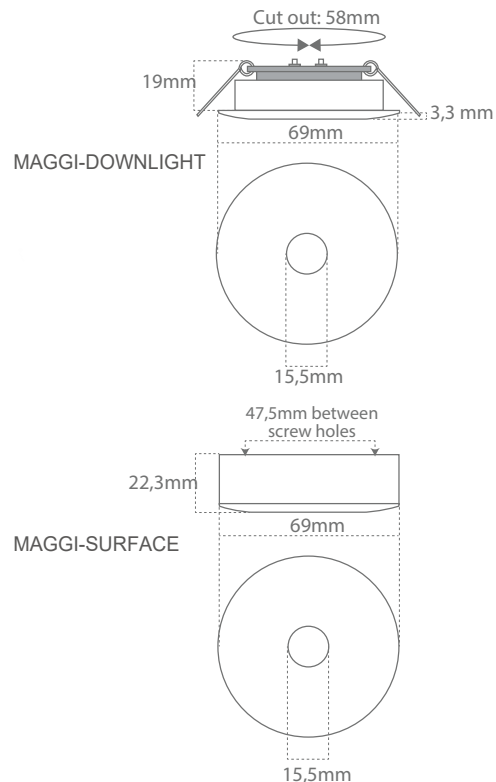
Material  
Aluminum  
Stainless steel



MAGGI-DOWNLIGHT



MAGGI-SURFACE



Product code	Lumen output	Beam	Power	CCT	CRI
MAGGI-SS-DOWNLIGHT	165 lm	80°	3 w	3000 K	> 85
MAGGI-SS-SURFACE	165 lm	80°	3 w	3000 K	> 85

## Feature

- IP65 design with integral thermal management for long life
- High precision machining ensures perfect mechanical fit for long life
- Stainless steel ensures corrosion free product in damp environment

## Material

- SS Front: Stainless steel 316L
- Base: Aluminum

## Benefit

- High reliability
- Maintenance free

## Application

- Marine light