

# Casolux Machine light

Machine light system

ROEMOE SQUARE

GB

IP65



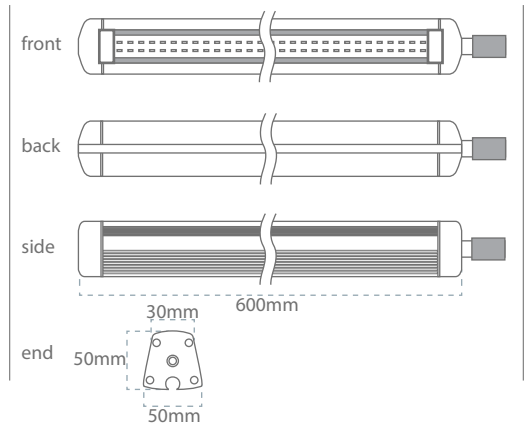
Power  
16 w

Efficiency  
100 Lm/w

Lifetime  
50.000 Hours  
(70% Lumen maintenance)

Input  
24 VDC  
220VAC

Material  
Aluminum



Product code	Lumen output	Beam	Power	CCT
RØMØ SQUARE 600MM 16W 220V	1640 lm	120°	16 w	4000
RØMØ SQUARE 600MM 16W 24V	1640 lm	120°	16 w	4000

## Feature

- Powerful projector for industrial machine light.
- IP65 design with integral thermal management for long life.
- High precision machining ensures perfect mechanical fit for long life.
- Hard anodized aluminum ensures a corrosion free product in damp environment.
- Working temperature: -40 - +50 °C

## Material

- Hard anodized aluminum
- Tempered glass

## Benefit

- High reliability
- Maintenance free

## Application

- Machine light