

# Casolux Marine light

Marine light system

## Line - LED Flexible silicone Neon Strip - 6x6mm - IP67

GB

IP67



Power  
6 w/m

Efficiency  
348Lm/m

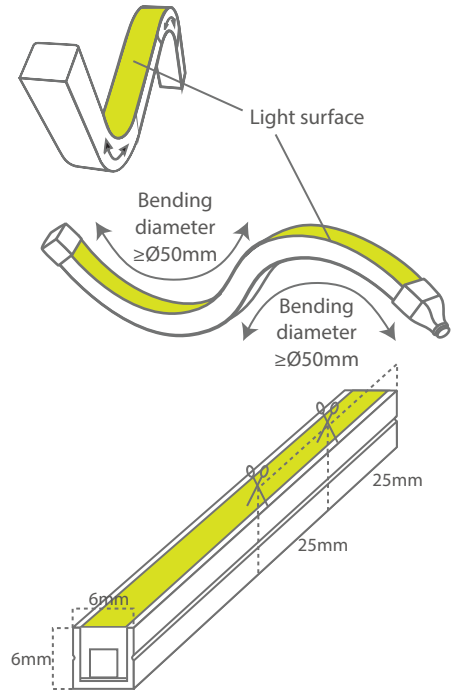
Lifetime  
30.000 Hours  
(70% Lumen maintenance)

Input  
24 VDC

Material  
Silicone



### Bending Up-Down



Product code	IP	Lumen/m	Beam	Power/m	Volt	CCT	CRI
CALL24V-6W-5000x6x6WW	IP67	348	120°	6 W	24 VDC	3000 K	> 90

### Feature

- Flexible and cuttable line led strip made of silicone.
- Ultra flexibel strip with a bending diameter of 50mm.
- Saltwater, UV and High temperature resistant.
- 240 LED's per meter
- Seamless light without shadows.
- Working temperatur -25° - +55°

### Benefit

- High reliability
- Maintenance free
- Cut option for every 25mm

### Application

- Marine and Autocamp light indoor / outdoor

### Accessories:

-Aluminum profil 1m



-Aluminum clips 20mm

