

# Casolux Marine light

Marine light system

LINE - LED Flexible silicone NEON Strip - 4x11mm - IP67 - SW

GB

IP67



Power  
7,6 - 9,6 w/m

Efficiency  
181 Lm/m

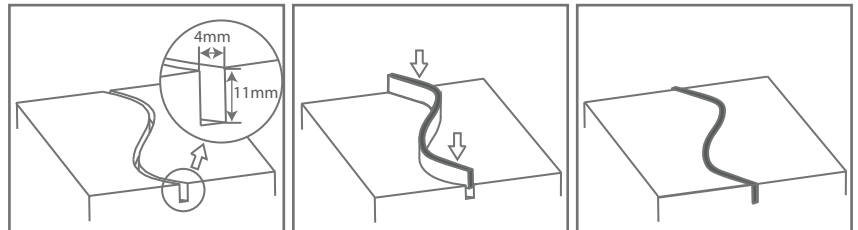
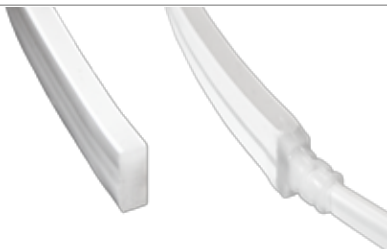
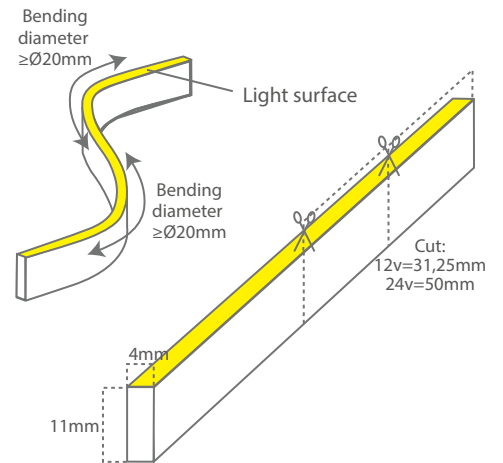
Lifetime  
50.000 Hours  
(70% Lumen maintenance)

Input  
12 / 24 VDC

Material  
Silicone



## Bending Sideway



Product code		IP	Lumen/m	Beam	Power/m	Volt	CCT	CRI
CALL24VDC MILKY SIDEWAY 3000K	5 Meter	IP67	181	60°	9,6 W	24 VDC	3000 K	> 85
CALL24VDC MILKY SIDEWAY 4500K	5 Meter	IP67	181	60°	9,6 W	24 VDC	4500 K	> 85
CALL12VDC MILKY SIDEWAY 3000K	5 Meter	IP67	181	60°	7,6 W	12 VDC	3000 K	> 85
CALL12VDC 980x4x11MMWW	968,75mm	IP67	181	60°	7,6 W	12 VDC	3000 K	> 85
CALL12VDC 1250x4x11MMWW	1250mm	IP67	181	60°	7,6 W	12 VDC	3000 K	> 85
CALL12VDC 1625x4x11MMWW	1625mm	IP67	181	60°	7,6 W	12 VDC	3000 K	> 85
CALL12VDC 1840x4x11MMWW	1812,5mm	IP67	181	60°	7,6 W	12 VDC	3000 K	> 85
CALL12VDC 1880x4x11MMWW	1875mm	IP67	181	60°	7,6 W	12 VDC	3000 K	> 85
CALL12VDC 190625x4x11MMWW	1906,25mm	IP67	181	60°	7,6 W	12 VDC	3000 K	> 85
CALL12VDC 2070x4x11MMWW	2062,5mm	IP67	181	60°	7,6 W	12 VDC	3000 K	> 85
CALL12VDC 2100x4x11MMWW	2093,75mm	IP67	181	60°	7,6 W	12 VDC	3000 K	> 85
CALL12VDC 271875x4x11MMWW	2718,75mm	IP67	181	60°	7,6 W	12 VDC	3000 K	> 85
CALL12VDC 2850x4x11MMWW	2843,75mm	IP67	181	60°	7,6 W	12 VDC	3000 K	> 85
CALL12VDC 3200x4x11MMWW	3187,5mm	IP67	181	60°	7,6 W	12 VDC	3000 K	> 85
CALL12VDC 3400x4x11MMWW	3375mm	IP67	181	60°	7,6 W	12 VDC	3000 K	> 85
CALL12VDC 8895x4x11MMWW	4468,25 + 4437,50mm	IP67	181	60°	7,6 W	12 VDC	3000 K	> 85

## Feature

- Flexible and cuttable line led strip made of silicone.
- Ultra flexibel strip with a bending diameter of 20mm.
- Seamless light without shadows.
- PWM dimmable.
- Flexible stainless steel profile can be ordered.

## Benefit

- High reliability
- Maintenance free
- Cut option for every 31,25 / 5 cm.

## Application

- Marine light

