

# Casolux Marine light

Marine light system

LILLEHOLM 205

GB

IP55



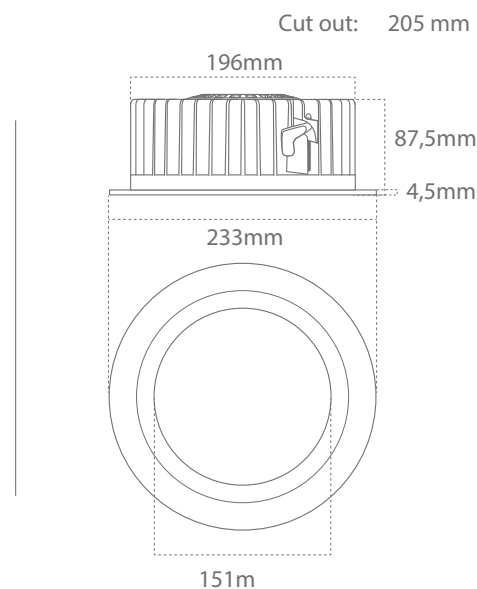
Power  
30 w

Efficiency  
90 Lm/w

Lifetime  
**40.000 Hours**  
(70% Lumen maintenance)

Input  
230 VAC

Material  
Aluminum



Product code	Lumen output	Beam	Power	CCT	CRI	LED brand
LILLEHOLM-205-AL-WH	2800 lm	90°	30 w	3000	> 83	EPISTAR

## Feature

- High power projector for marine light
- IP55 design with integral thermal management for long life
- High precision machining ensures perfect mechanical fit for long life
- Anodized aluminium heatsink ensures corrosion free product in damp environment

## Material

- Anodised aluminium
- Opal lens

## Benefit

- High reliability
- Maintenance free

## Application

- Marine light