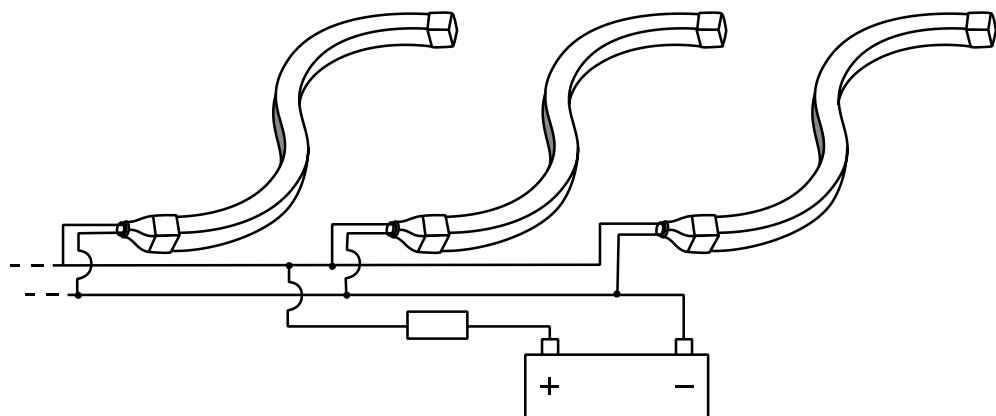


## Electrical diagram



# CASOLUX®

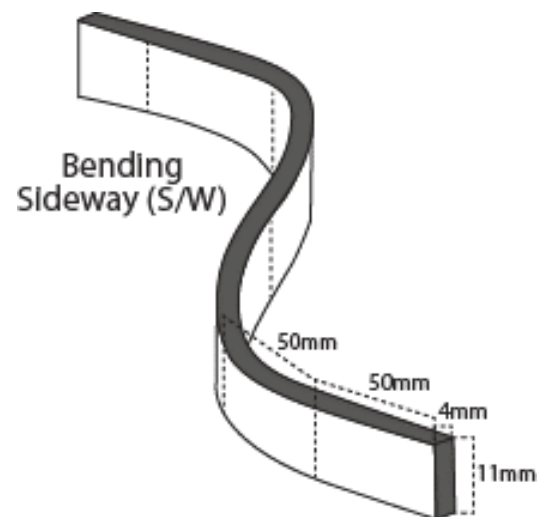
*The lights of tomorrow*

## LED Neon Flex

### 4 x 11 mm

#### Assembly Instructions

| ITEM                           | POWER | VOLT   |
|--------------------------------|-------|--------|
| CALL12V- MILKY SIDEWAY-5M-4X11 | 7,6 W | 12V DC |
| CALL24V- MILKY SIDEWAY-5M-4X11 | 7,6 W | 24V DC |



[www.casolux.com](http://www.casolux.com)

Casolux Aps  
Borrevej 18, 6400 Sønderborg  
Phone: +45 74 45 00 05  
[www.casolux.com](http://www.casolux.com)

# BEFORE YOU START

## Safety information

Read all safety information before using the device to ensure safe and proper use.

The light source of this light fixture is not replaceable, when the light source reaches its end of life the whole unit shall be replaced.

It is extremely important that these instructions are read carefully, and any illustrations studied before commencing installation.

Please keep these instructions for future reference.

## WARNING!

- Electricity can be dangerous.
- Do not attempt to fit installation unless you are competent.
- If in any doubt consult a qualified electrician to complete electrical installation.
- Installation to comply with current IET wiring regulations.
- The lighting is for use in a normal dry domestic indoor environment.
- If you find any damage to the electrical parts, please ask a qualified electrician
- Be aware of electrical voltage on the different models to avoid damage

## Correct disposal



This marking indicates that this item should be disposed of separately from household waste. The item should be handed in for recycling in accordance with local environmental regulations for waste disposal.

## Installation

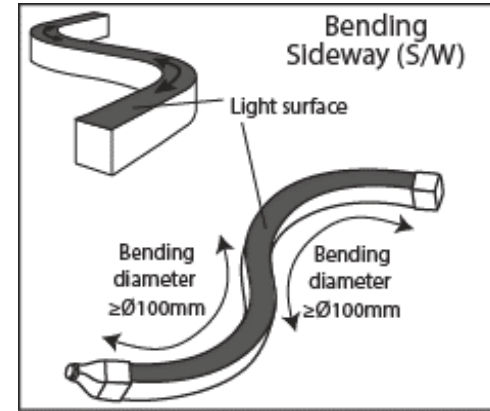
- Take care when handling and installing to avoid damage to the product.
- Avoid mounting the fitting on a damp surface such as newly painted or plastered area as this could cause discoloration of the finish.

## Cleaning Instructions and Care

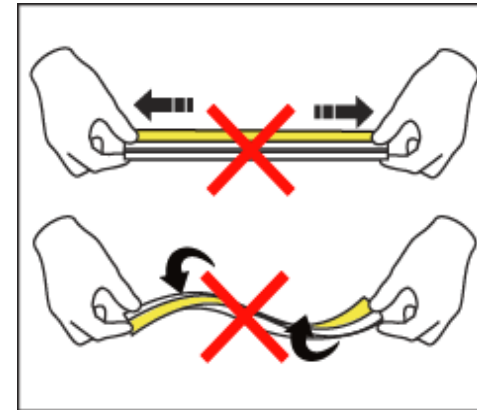
- Please disconnect the light before cleaning.
- Take extra care when cleaning and assembling.
- Do not use any chemical or abrasive solutions.

## Observe

Maximum bending diameter:

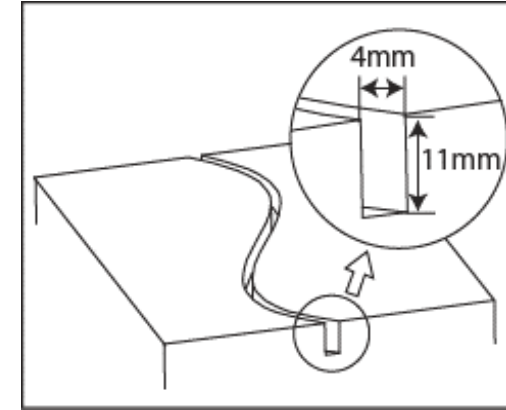


Do not pull or twist the LED flexible strip.



## General Assembly

1. Make suitable cut.



2. Gently push the LED Neon flex down in the cut mark.

