

IP65



Power  
10 w

Efficiency  
230 Lm/w

Lifetime  
**50.000 Hours**  
(70% Lumen maintenance)

Input  
220-240 VAC

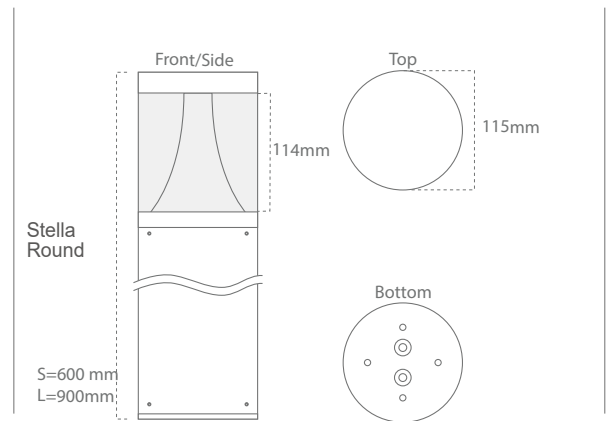
Material  
Aluminum



Stella Large Round



Stella Small Round



Product code	Lumen output	Beam	Power	CCT	CRI
STELLA-SMALL-ROUND-AL-BLACK	2300 lm	360°	10 w	3000K	> 80
STELLA-LARGE-ROUND-AL-BLACK	2300 lm	360°	10 w	3000K	> 80

### Feature

- Outdoor garden light in round shape
- IP65 design with integral thermal management for long life
- Hard anodized aluminum ensures corrosion free product in damp environment

### Material

- Hard Anodized aluminum 50 µm
- plexiglass (round lamp)

### Benefit

- High reliability
- Maintenance free

### Application

- General lighting