

# Casolux Marine light

Marine light system

MARY FLEX MINI w/USB,Touch,Dim

GB

IP44



Power  
1,5 w

Efficiency  
93 Lm/w

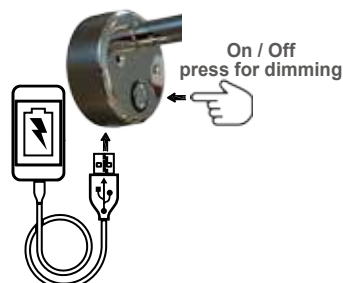
Lifetime  
40.000 Hours  
(70% Lumen maintenance)

Input  
10-30 VDC

Material  
Aluminum  
Stainless steel



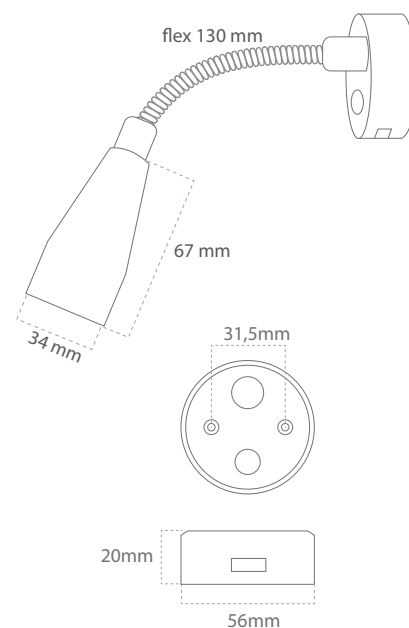
Stainless steel (SS)



Grey (GR)



Black (BL)



Product code	Lumen output	Beam	Power	CCT	CRI	LED brand	USB Output
MARY-SS-FLEX-MINI-TOUCH-DIM	140 lm	40°	1,5 w	3000	> 85	CREE	5V, 2Am
MARY-GR-FLEX-MINI-TOUCH-DIM	140 lm	40°	1,5 w	3000	> 85	CREE	5V, 2Am
MARY-BL-FLEX-MINI-TOUCH-DIM	140 lm	40°	1,5 w	3000	> 85	CREE	5V, 2Am

## Feature

- Stainless steel (316) / Anodized aluminum ensures corrosion free product in damp environment.
- IP44 design with integral thermal management for long life
- Switch with touch and dimming function in lamp base
- Dimming is with memory function and remember your last setting after being turned off
- With USB charger in lampbase.

## Material

- SS: Aisi 316 stainless steel
- GR, BL: Anodised aluminium
- Flex: Chromeplated brass with Black Silicone cover

## Benefit

- High reliability
- Maintenance free

## Application

- Marine light