

## MARTHA FLEX w/USB,Touch,Dim REGULAR BASE

GB

IP44



Power  
1,5 w

Efficiency  
93 Lm/w

Lifetime  
50.000 Hours  
(70% Lumen maintenance)

Input  
10-30 VDC

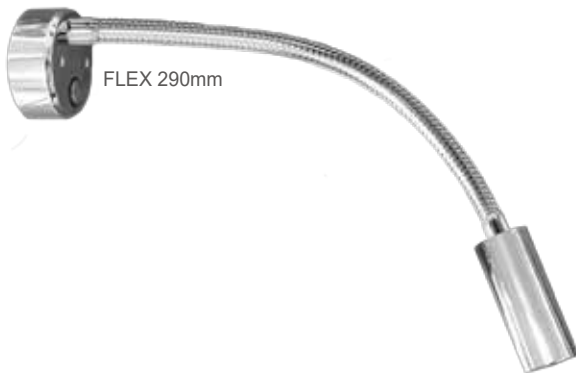
Material  
Stainless steel



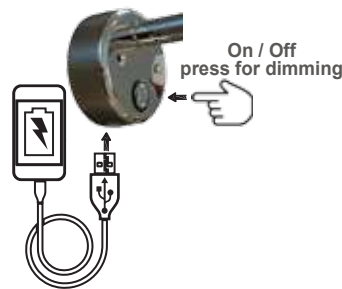
FLEX 200mm



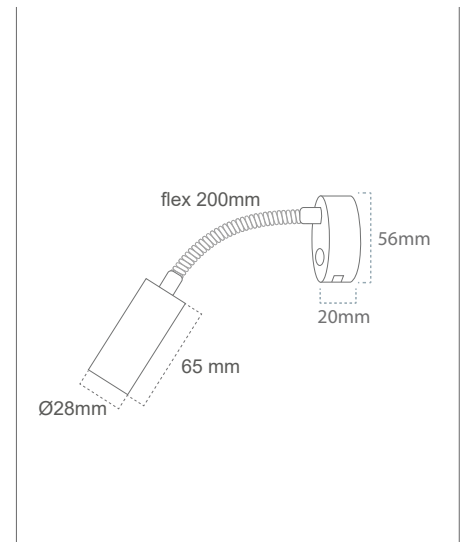
FLEX MINI



FLEX 290mm



On / Off  
press for dimming



Varenavn	Lumen	Beam	Power	CCT	CRI	LED brand	USB Output
MARTHA-SS-FLEX-290	140 lm	40°	1,5 w	3000 K	> 83	CREE	5V, 2Am
MARTHA-SS-FLEX-200	140 lm	40°	1,5 w	3000 K	> 83	CREE	5V, 2Am
MARTHA-SS-FLEX-MINI	140 lm	40°	1,5 w	3000 K	> 83	CREE	5V, 2Am

### Feature

- Stainless steel ensures corrosion free product in damp enviroment.
- IP44 design with integral thermal management for long life
- Switch with touch and dimming function in lamp base
- Dimming is with memory function and remember your last setting after being turned off
- With USB charger in lampbase

### Material

- Base and head: Stainless steel
- Flex arm: Stainless steel inner core, brass chromeplated outside. (In 200mm and 290mm)
- Flex arm: can also be custom made with upholstered leather or in colored Polyolefin cover.

### Benefit

- High reliability
- Maintenance free

### Application

- Marine light