

# Casolux Marine light

Marine light system

## MALENE TOUCH TABLE

GB

IP54



Power  
0,5 - 2 w

Efficiency  
85 Lm/w

Lifetime  
50.000 Hours  
(70% Lumen maintenance)

Input  
10-18 VDC  
20-30 VDC

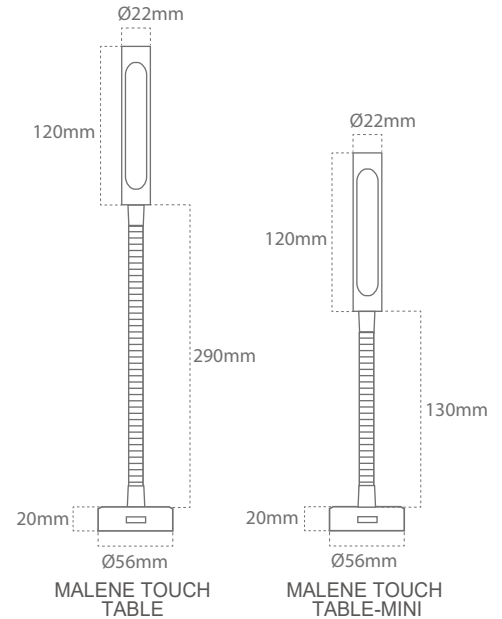
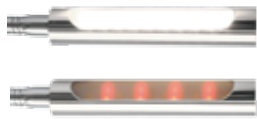
Material  
Stainless steel



MALENE TOUCH TABLE



MALENE TOUCH TABLE-MINI



Product code	Lumen output	Beam	Power	CCT	CRI	LED brand	USB Output
MALENE-TOUCH-TABLE-10-18VDC	170 lm	110°	0,5 - 2 w	RED - 3000K	> 80	CREE	5V, 2Am
MALENE-TOUCH-TABLE-20-30VDC	170 lm	110°	0,5 - 2 w	RED - 3000K	> 80	CREE	5V, 2Am
MALENE-TOUCH-TABLE-MINI-10-18VDC	170 lm	110°	0,5 - 2 w	RED - 3000K	> 80	CREE	5V, 2Am
MALENE-TOUCH-TABLE-MINI-20-30VDC	170 lm	110°	0,5 - 2 w	RED - 3000K	> 80	CREE	5V, 2Am

### Feature

- IP54 design with integral thermal management for long life
- High precision machining ensures perfect mechanical fit for long life
- Stainless steel ensures corrosion free product in damp environment
- Red and white LEDs (3000 Kelvin = warm white)
- Switch with touch function at the top of the lamp
- USB charger in lampbase

### Material

- Base and head: Stainless steel
- Flex: Stainless steel inner core, brass with chrome outside
- Flex: Also available in other flex tube lengths and in upholstered leather or in colored Polyolefin cover

### Benefit

- High reliability
- Maintenance free

### Application

- Marine light