

## PAULA Recessed Spotlight

GB

IP44



Power  
GU10 max 20w

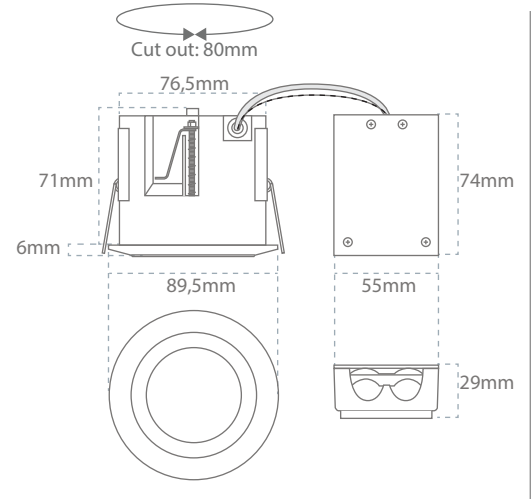
Input  
220-240 VAC

Material  
Plastic / Aluminum / SS



Aluminum grey (GR)

Stainless steel (SS)  
Not tiltable



Aluminum grey (GR)



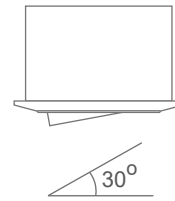
Aluminum black (BL)



Aluminum white (WH)



Stainless steel (SS)  
Not tiltable



Product code	Beam	Base	Light source Power	Tilt angle
DL-PAULA-AL-GR-GU10	120°	GU10	max 20w	30° angle in 360°
DL-PAULA-AL-BL-GU10	120°	GU10	max 20w	30° angle in 360°
DL-PAULA-AL-WH-GU10	120°	GU10	max 20w	30° angle in 360°
DL-PAULA-SS-GU10	120°	GU10	max 20w	-

### Feature

- Tiltable recessed spotlights with Grey, Black or White Aluminum front.
- Aluminum front is tiltable in 30° angle and all directions (360°)
- Stainless steel front is not tiltable.
- For installation directly into insulation.
- For indoor and outdoor use in exterior roof overhang.
- Quick and easy installation.
- Mounted with screws or 2 different positions for springs.
- Can be bypassed.
- All metal is stainless steel.

### Material

- Plastic house
- Anodized aluminum (grey, black and white)
- Mirror polished Stainless steel SS316

### Benefit

- High reliability
- Maintenance free

### Application

- General lighting

