

HEIDI WALL

GB

IP20



Power
6 w

Efficiency
70 Lm/w

Lifetime
50.000 timer
(L70%)

Input
230 V

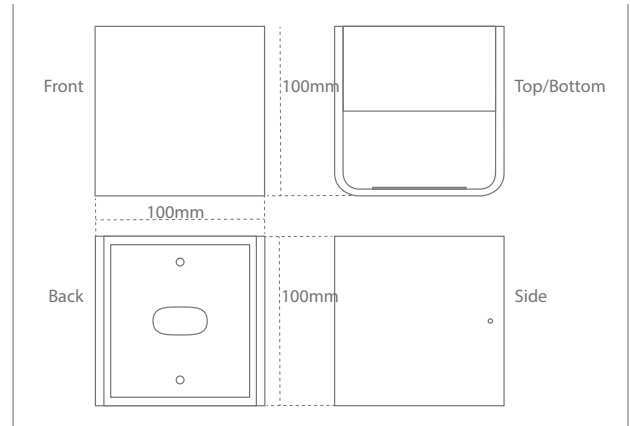
Material
Aluminum



Black



White



Side



Back

Product code	Lumen output	Beam	Power	CCT	CRI	LED brand
HEIDI-AL-BL	420 lm	2 x 140°	6 w	2700 K	> 83	Philips
HEIDI-AL-WH	420 lm	2 x 140°	6 w	2700 K	> 83	Philips

Feature

- IP20 design with integral thermal management for long life
- High precision machining ensures perfect mechanical fit for long life
- Hard anodized aluminum ensures corrosion free product in damp environment

Material

- Hard anodized aluminum 50 µm

Benefit

- High reliability
- Maintenance free

Application

- General lighting

Customized solution

- CCT (Colour temperature) from 2700 - 6000 Kelvin
- Aluminum can be coated in different colours
- Can be made with dimmer function