

Casolux Marine light

Marine light system

SPIRHOLM

IP68
[5m]



Power
6 w - 30 w

Efficiency
57 Lm/w

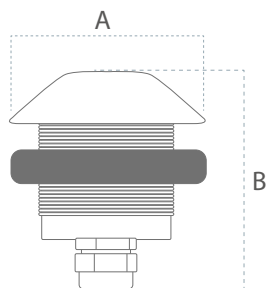
Lifetime
50.000 Hours
(70% Lumen maintenance)

Input
24 VDC

Material
AISI316



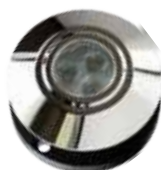
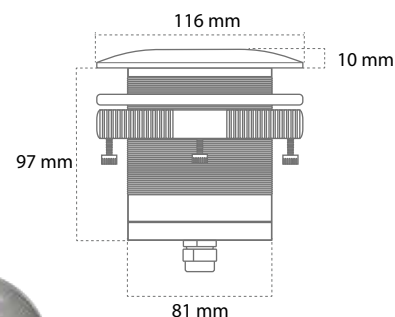
SPIRHOLM-SS-SMALL



	A	B
SPIRHOLM-SS-SMALL	60 mm	64 mm
SPIRHOLM-SS-MEDIUM	70 mm	64 mm
SPIRHOLM-SS-LARGE	80 mm	64 mm



SPIRHOLM-X-LARGE



Product code	Lumen output	Beam	Power	CCT	CRI	LED brand
SPIRHOLM-SS-SMALL	345 lm	25°	6 w	3000 K	> 80	CREE
SPIRHOLM-SS-MEDIUM	630 lm	25°	11 w	3000 K	> 80	CREE
SPIRHOLM-LARGE	855 lm	25°	15 W	3000 K	> 80	CREE
SPIRHOLM-X-LARGE	855 / 1710 lm	25°	15 / 30W	3000 K	> 80	CREE

Feature

- High power projector underwater light
- IP68 design with integral thermal management for long life
- High precision machining ensures perfect mechanical fit for long life
- Stainless steel (AISI316) ensures corrosion free in damp enviroment.

Material

- AISI 316 Stainless steel
- 8 mm tempered glass

Benefit

- High reliability
- Maintenance free

Application

- Marine light