

Casolux Machine light

Machine light system

BARSOE

GB

IP68



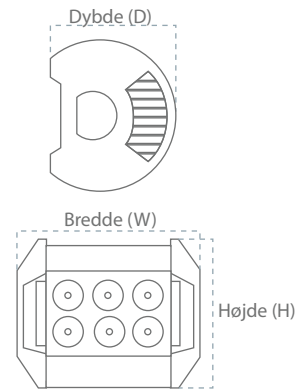
Power
18 w

Efficiency
70 Lm/w

Lifetime
50.000 Hours
(70% Lumen maintenance)

Input
12-30 VDC

Material
Aluminum



							Size	
Product code	Lumen output	Power	CCT	LED brand	Height	Width	Depth	
BARSO 18W	1260 lm	18 w	4000	CREE	80mm	97mm	65mm	

Feature

- Powerful lights for industrial machine lighting.
- IP68 design with integral thermal management for long life.
- High precision machining ensures perfect mechanical fit for long life.
- 6063 aluminum ensures a corrosion free product in damp environment.
- Working temperature: -40 - +50 °C

Material

- 6063 aluminum
- Perspective lens
- Additional protective lens

Benefit

- High reliability
- Maintenance free

Application

- Machine light