

Casolux Machine light

Machine light system

ALS LONG

GB

IP65



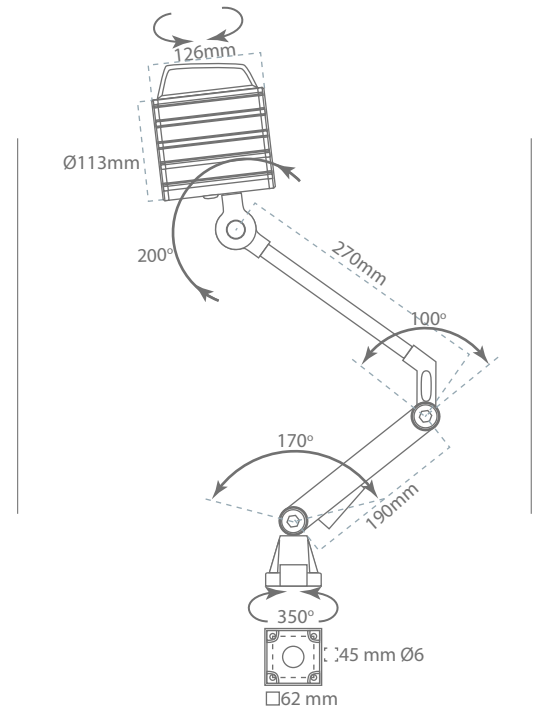
Power
9,5 w

Efficiency
75 Lm/w

Lifetime
50.000 Hours
(70% Lumen maintenance)

Input
24 VDC
220VAC

Material
Aluminum



Product code	Lumen output	Beam	Power	CCT	CRI
ALS LONG 9,5W 24V	715 lm	60°	9,5 w	4000	> 70
ALS LONG 9,5W 230V	715 lm	60°	9,5 w	4000	> 70

Feature

- Powerful lights for industrial machine lighting.
- IP67 design with integral thermal management for long life.
- High precision machining ensures perfect mechanical fit for long life.
- Hard anodized aluminum ensures a corrosion free product in damp environment.
- Central Lux: 70 cm = 1800-1900 lux
- Working temperature: -20 - +60 °C

Material

- Hard anodized aluminum
- Glass

Benefit

- High reliability
- Maintenance free

Application

- Machine light